



**is now the Exclusive Distributor
of Ventinox®**

**www.lindemannchimneysupply.com
866-341-8325**

Ventinox®

**Welded and flexible relining
for masonry chimney.**

UL 1777 and ULC S635.



Specifications

Applications

VFT flexible liners are used for upgrading or restoring masonry chimneys that vent Category I natural gas, propane or oil appliances, wood or pellet stoves, fireplaces and fireplace inserts.

VG flexible liners are top performers when used to line masonry chimneys venting Category I gas-fired boilers, furnaces, space and water heaters.

Materials and Construction

VFT Single-wall, .006" 316 stainless steel. Continuous weld delivers a strong, air and water tight flue gas conduit.

VG Single-wall, .006" AL29-4C stainless steel. Continuous weld construction.

Clearances

VFT 0" clearance to masonry chimney for oil and gas. With TherMix or ProFoil insulation 0" clearance for solid fuels.

VG 0" clearance to masonry for gas appliances.

Diameters

Flex 3"-12"

Listings

UL Listed to UL 1777 and ULC S635 (MH11476).



UL 1777, ULC S635 and ULC S640 Systems

Ventinox®

Liner For Life

Ventinox VFT

Made from 316Ti stainless steel, can withstand high temperatures associated with solid fuel fired heaters, as well as the corrosive environments typical in gas or oil vents. Tested and listed for all-fuel, and can also be used for wood, gas, or oil-fired equipment.

Ventinox VG

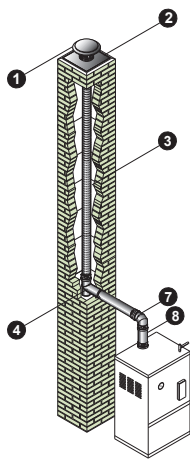
The ultimate choice for venting gas fired appliances, where highly corrosive condensate formation (hydrochloric acid) within the flue is likely. The super-ferritic AL29-4C stainless steel alloy exhibits extreme resistance to chloride pitting, crevice, and stress corrosion and cracking.

Ventinox components are made from either 316SS (VFT) or super-ferritic stainless steel (VG). Components feature an integral locking band, avoiding the use of pop rivets. Liners and components provide a penetration free top to bottom connection.

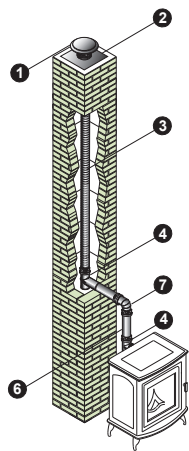
When venting solid fuel heaters, Ventinox VFT must be insulated with either TherMix or ProFoil blankets to meet UL 1777 requirements. For all other applications, insulation is highly recommended for increased efficiency and draft performance.



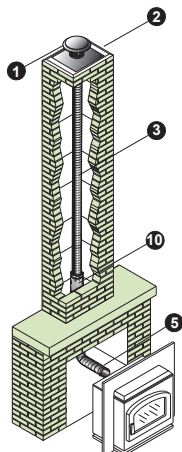
Ventinox VG and VFT Typical Installations



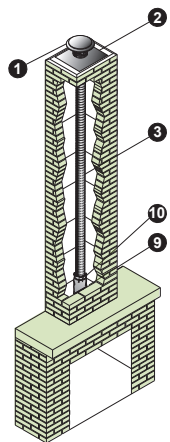
Gas Furnace



Gas Stove



Fireplace Insert

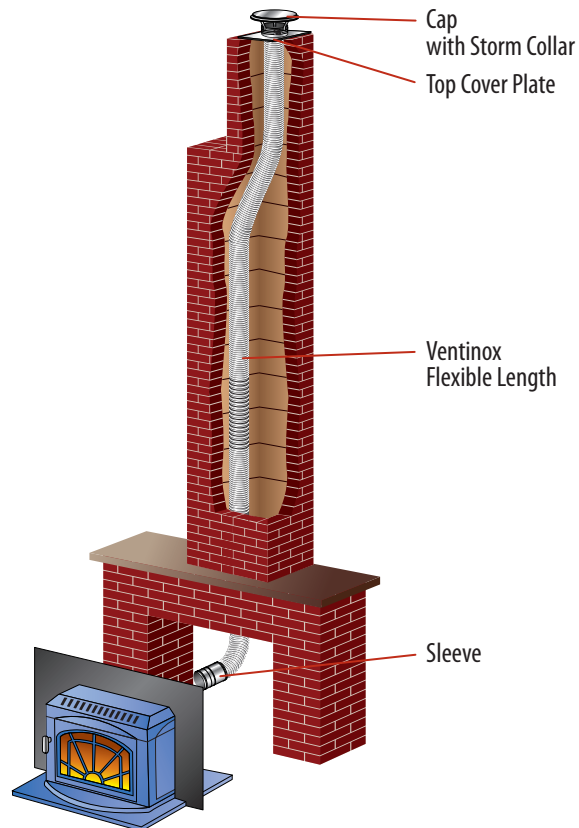


Open Fireplace

Installation Key

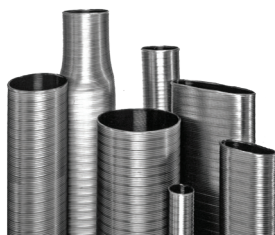
| | |
|----|--|
| 1 | Rain Cap w/ Storm Collar |
| 2 | Top Cover Plate |
| 3 | Flex Length |
| 4 | Tee with Removable Snout |
| 5 | Sleeve |
| 6 | Rigid Type B Gas Vent or Rigid Pipe Length |
| 7 | Adjustable Elbow |
| 8 | DuraFlex Appliance Adapter |
| 9 | Bottom Plate w/ Collar |
| 10 | ProFoil w/ ProMesh or Thermix |

Refer to our Typical Venting Installation drawings to select the appropriate component parts for your installation.



Ventinox® VFT & VG

Ventinox VFT Extensions



Use as an economical solution to add a few extra feet when needed to complete a run. Available in 5' and 10' lengths.

| SIZE | LENGTH | ORDER # | STOCK # | LENGTH | ORDER # | STOCK # |
|--------|--------|----------|-----------|--------|-----------|-----------|
| 3" | 5' | 3VFT-X5 | 810001612 | 10' | 3VFT-X10 | 810001613 |
| 4" | 5' | 4VFT-X5 | 810001628 | 10' | 4VFT-X10 | 810001629 |
| 5" | 5' | 5VFT-X5 | 810001647 | 10' | 5VFT-X10 | 810001648 |
| 5 1/2" | 5' | 55VFT-X5 | 810001665 | 10' | 55VFT-X10 | 810001666 |
| 6" | 5' | 6VFT-X5 | 810001680 | 10' | 6VFT-X10 | 810001681 |
| 7" | 5' | 7VFT-X5 | 810001711 | 10' | 7VFT-X10 | 810001712 |
| 8" | 5' | 8VFT-X5 | 810001735 | 10' | 8VFT-X10 | 810001736 |

Ventinox VFT



Used for upgrading or restoring masonry chimneys that vent Category I natural gas, propane or oil appliances, wood or pellet stoves, fireplaces and fireplace inserts. Single-wall, .006" 316 Ti (Titanium) stainless steel. Continuous weld delivers a strong, air and water tight flue gas conduit. Custom lengths available using XX stock#'s (e.g.: For a 9" diameter, 40' length stock# would be QTY 40 of 9VFT-XX). Maximum length of 150' for 3" - 9" diameter custom orders and 25' for 10"-12" diameter custom orders. Must be ordered in 10' increments.

| SIZE | LENGTH | ORDER # | STOCK # | SIZE | ORDER # | STOCK # |
|--------|--------|------------|-----------|--------|----------|-----------|
| 3" | 25 | 3VFT-25BL | 810001614 | 3" | 3VFT-XX | 810001611 |
| 4" | 25 | 4VFT-25BL | 810001630 | 4" | 4VFT-XX | 810001627 |
| 5" | 25 | 5VFT-25BL | 810001649 | 5" | 5VFT-XX | 810001646 |
| 5 1/2" | 25 | 55VFT-25BL | 810001667 | 5 1/2" | 55VFT-XX | 810001664 |
| 6" | 25 | 6VFT-25BL | 810001682 | 6" | 6VFT-XX | 810001679 |
| 7" | 25 | 7VFT-25BL | 810001713 | 7" | 7VFT-XX | 810001710 |
| 8" | 25 | 8VFT-25BL | 810001737 | 8" | 8VFT-XX | 810001734 |
| 3" | 35 | 3VFT-35BL | 810001615 | 9" | 9VFT-XX | 810001763 |
| 4" | 35 | 4VFT-35BL | 810001631 | 10" | 10VFT-XX | 810001778 |
| 5" | 35 | 5VFT-35BL | 810001650 | 11" | 11VFT-XX | 810001795 |
| 5 1/2" | 35 | 55VFT-35BL | 810001668 | 12" | 12VFT-XX | 810001808 |
| 6" | 35 | 6VFT-35BL | 810001683 | | | |
| 7" | 35 | 7VFT-35BL | 810001714 | | | |
| 8" | 35 | 8VFT-35BL | 810001738 | | | |

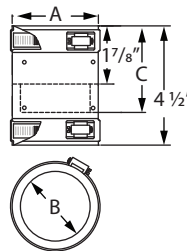
Ventinox VG



Used to line masonry chimneys venting Category I, natural gas, propane, furnaces, space and water heaters. Single-wall, .006" AL29-4C stainless steel. Continuous weld construction. Custom lengths available using XX stock#'s. (e.g.: For a 7" diameter, 40' length stock# would be QTY 40 of 7VG-XX). Maximum length of 150' for 3" - 9" diameter custom orders and 25' for 10"-12" diameter custom orders. Must be ordered in 10' increments.

| SIZE | ORDER # | STOCK # | SIZE | ORDER # | STOCK # |
|------|---------|-----------|------|---------|-----------|
| 3" | 3VG-XX | 810001826 | 8" | 8VG-XX | 810001868 |
| 4" | 4VG-XX | 810001834 | 9" | 9VG-XX | 810001877 |
| 5" | 5VG-XX | 810001842 | 10" | 10VG-XX | 810001884 |
| 6" | 6VG-XX | 810001851 | 11" | 11VG-XX | 810001891 |
| 7" | 7VG-XX | 810001860 | 12" | 12VG-XX | 810001900 |

Coupler



Use as a drip free connection between two sections of liner.

| SIZE | VFT | | VG | | A | B | C |
|--------|---------|-----------|---------|-----------|----------|-----------|--------|
| | ORDER # | STOCK # | ORDER # | STOCK # | | | |
| 3" | 3VFT-C | 810001616 | 3VG-C | 810001827 | 3 3/8" | 3" | 3 1/2" |
| 4" | 4VFT-C | 810001632 | 4VG-C | 810001835 | 4 3/8" | 3 3/4" | 3 1/2" |
| 5" | 5VFT-C | 810001651 | 5VG-C | 810001843 | 5 3/8" | 4 3/4" | 3 1/2" |
| 5 1/2" | 55VFT-C | 810006019 | -- | -- | 5 3/4" | 4 7/8" | 3 1/2" |
| 6" | 6VFT-C | 810001684 | 6VG-C | 810001852 | 6 5/12" | 5 4/5" | 3 1/2" |
| 7" | 7VFT-C | 810001715 | 7VG-C | 810001861 | 7 1/2" | 6 9/10" | 3 1/2" |
| 8" | 8VFT-C | 810001739 | 8VG-C | 810001869 | 8 5/12" | 7 4/5" | 3 1/2" |
| 9" | 9VFT-C | 810001764 | 9VG-C | 810001878 | 9 3/8" | 8 3/4" | 3 5/8" |
| 10" | 10VFT-C | 810001779 | 10VG-C | 810001885 | 10 3/8" | 9 3/4" | 3 5/8" |
| 11" | 11VFT-C | 810001796 | 11VG-C | 810001892 | 11 1/2" | 10 7/8" | 3 5/8" |
| 12" | 12VFT-C | 810001809 | 12VG-C | 810001901 | 12 3/10" | 11 11/16" | 3 5/8" |

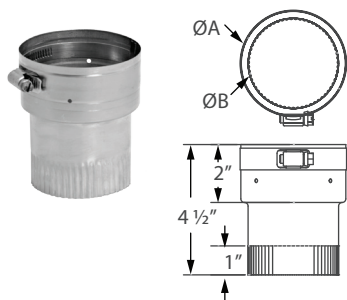
4" Ventinox Short Body Tee w/ 3" Branch



Used to connect flex to pellet insert. Use as a 90° transition between liner and connector pipe at the wall thimble or rear flue outlet of a pellet appliance. Transition from 3" PelletVent to 4" Ventinox Chimney Liner. Tee is 9" tall. Comes with Clean-Out Cap.

| SIZE | ORDER # | STOCK # |
|------|-----------|-----------|
| 4" | 4VFT-PVTS | 810001640 |

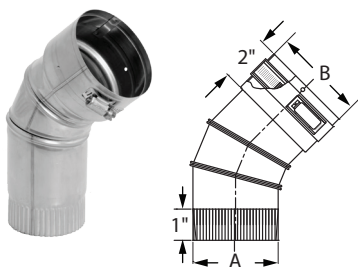
Sleeve



Use to connect a liner into an appliance flue collar.

| SIZE | VFT | | VG | | A | B |
|--------|---------|-----------|---------|-----------|----------|-----|
| | ORDER # | STOCK # | ORDER # | STOCK # | | |
| 3" | 3VFT-S | 810001617 | 3VG-S | 810001828 | 3 1/2" | 3" |
| 4" | 4VFT-S | 810001633 | 4VG-S | 810001836 | 4 1/2" | 4" |
| 5" | 5VFT-S | 810001652 | 5VG-S | 810001844 | 5 1/2" | 5" |
| 5 1/2" | 55VFT-S | 810001670 | -- | -- | 5 3/4" | 6" |
| 6" | 6VFT-S | 810001685 | 6VG-S | 810001880 | 6 1/2" | 6" |
| 7" | 7VFT-S | 810001716 | 7VG-S | 810001862 | 7 1/2" | 7" |
| 8" | 8VFT-S | 810001740 | 8VG-S | 810001870 | 8 3/10" | 8" |
| 9" | 9VFT-S | 810001765 | 9VG-S | 810001879 | 9 3/10" | 9" |
| 10" | 10VFT-S | 810001780 | 10VG-S | 810001886 | 10 3/10" | 10" |
| 11" | 11VFT-S | 810001797 | 11VG-S | 810001893 | 11 1/2" | 11" |
| 12" | 12VFT-S | 810001810 | 12VG-S | 810001902 | 12 1/4" | 12" |

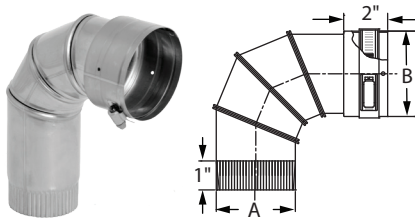
45° Adjustable Elbow



Use as a straight or up to 45° connection between liner and appliance flue collar.

| SIZE | VFT | | VG | | A | B |
|--------|-----------|-----------|----------|-----------|-----|----------|
| | ORDER # | STOCK # | ORDER # | STOCK # | | |
| 3" | 3VFT-E45 | 810001618 | 3VG-E45 | 810001829 | 3" | 3 1/2" |
| 4" | 4VFT-E45 | 810001634 | 4VG-E45 | 810001837 | 4" | 4 1/2" |
| 5" | 5VFT-E45 | 810001653 | 5VG-E45 | 810001845 | 5" | 5 1/2" |
| 5 1/2" | 55VFT-E45 | 810006020 | -- | -- | 6" | 5 3/4" |
| 6" | 6VFT-E45 | 810001686 | 6VG-E45 | 810001854 | 6" | 6 1/2" |
| 7" | 7VFT-E45 | 810001717 | 7VG-E45 | 810001863 | 7" | 7 1/2" |
| 8" | 8VFT-E45 | 810001741 | 8VG-E45 | 810001871 | 8" | 8 3/10" |
| 9" | 9VFT-E45 | 810001766 | 9VG-E45 | 810001880 | 9" | 9 3/10" |
| 10" | 10VFT-E45 | 810001781 | 10VG-E45 | 810001887 | 10" | 10 3/10" |
| 11" | 11VFT-E45 | 810001798 | 11VG-E45 | 810001894 | 11" | 11 1/2" |
| 12" | 12VFT-E45 | 810001811 | 12VG-E45 | 810001903 | 12" | 12 1/4" |

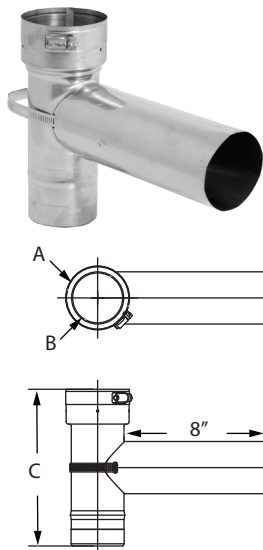
90° Adjustable Elbow



Use as a straight or up to 90° connection between liner and appliance flue collar.

| SIZE | VFT | | VG | | A | B |
|--------|-----------|-----------|----------|-----------|-----|----------|
| | ORDER # | STOCK # | ORDER # | STOCK # | | |
| 3" | 3VFT-E90 | 810001619 | 3VG-E90 | 810001830 | 3" | 3 1/3" |
| 4" | 4VFT-E90 | 810001635 | 4VG-E90 | 810001838 | 4" | 4 1/3" |
| 5" | 5VFT-E90 | 810001654 | 5VG-E90 | 810001846 | 5" | 5 1/3" |
| 5 1/2" | 55VFT-E90 | 810006021 | -- | -- | 6" | 5 3/4" |
| 6" | 6VFT-E90 | 810001687 | 6VG-E90 | 810001855 | 6" | 6 1/3" |
| 7" | 7VFT-E90 | 810001718 | 7VG-E90 | 810001864 | 7" | 7 1/2" |
| 8" | 8VFT-E90 | 810001742 | 8VG-E90 | 810001872 | 8" | 8 3/10" |
| 9" | 9VFT-E90 | 810001767 | 9VG-E90 | 810001881 | 9" | 9 3/10" |
| 10" | 10VFT-E90 | 810001782 | 10VG-E90 | 810001888 | 10" | 10 3/10" |
| 11" | 11VFT-E90 | 810001799 | 11VG-E90 | 810001895 | 11" | 11 1/2" |
| 12" | 12VFT-E90 | 810001812 | 12VG-E90 | 810001904 | 12" | 12 1/4" |

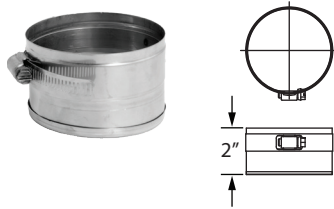
Tee w/ Removable Snout



Use as a 90° transition between liner and connector pipe at the wall thimble or rear flue outlet of a heater. Removable Snout with internal draw band allows for easier, through the wall thimble installation. 5 1/2" diameter has a 6" branch.

| SIZE | VFT | | VG | | A | B | C |
|--------|-----------|-----------|----------|-----------|----------|---------|---------|
| | ORDER # | STOCK # | ORDER # | STOCK # | | | |
| 3" | 3VFT-TRS | 810001620 | 3VG-TRS | 810001831 | 3 3/5" | 3" | 9" |
| 4" | 4VFT-TRS | 810001636 | 4VG-TRS | 810001839 | 4 3/8" | 4" | 10" |
| 5" | 5VFT-TRS | 810001655 | 5VG-TRS | 810001847 | 5 3/8" | 5 1/4" | 10 1/2" |
| 5 1/2" | 55VFT-TRS | 810006027 | -- | -- | 5 3/4" | 5 5/8" | 12" |
| 6" | 6VFT-TRS | 810001688 | 6VG-TRS | 810001856 | 6 3/8" | 6 2/9" | 12" |
| 7" | 7VFT-TRS | 810001719 | 7VG-TRS | 810001865 | 7 7/16" | 7 2/5" | 13 1/2" |
| 8" | 8VFT-TRS | 810001743 | 8VG-TRS | 810001873 | 8 1/3" | 8 1/5" | 14 1/2" |
| 9" | 9VFT-TRS | 810001768 | 9VG-TRS | 810001882 | 9 1/3" | 9 1/5" | 15 1/2" |
| 10" | 10VFT-TRS | 810001783 | 10VG-TRS | 810001889 | 10 3/10" | 10 1/5" | 16 1/2" |
| 11" | 11VFT-TRS | 810001800 | 11VG-TRS | 810001896 | 11 1/2" | 11" | 17 1/2" |
| 12" | 12VFT-TRS | 810001813 | 12VG-TRS | 810001905 | 12 1/4" | 12" | 18" |

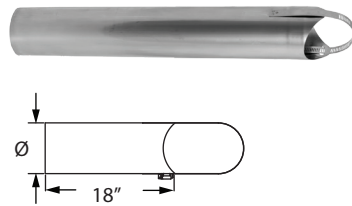
Tee Cover



Attach to bottom of tee body. Provides access for cleaning.

| SIZE | VFT | | VG | |
|--------|-----------|-----------|----------|-----------|
| | ORDER # | STOCK # | ORDER # | STOCK # |
| 3" | 3VFT-TCV | 810001621 | 3VG-TCV | 810001832 |
| 4" | 4VFT-TCV | 810001637 | 4VG-TCV | 810001840 |
| 5" | 5VFT-TCV | 810001656 | 5VG-TCV | 810001848 |
| 5 1/2" | 55VFT-TCV | 810006026 | -- | -- |
| 6" | 6VFT-TCV | 810001689 | 6VG-TCV | 810001857 |
| 7" | 7VFT-TCV | 810001720 | 7VG-TCV | 810001866 |
| 8" | 8VFT-TCV | 810001744 | 8VG-TCV | 810001874 |
| 9" | 9VFT-TCV | 810001769 | 9VG-TCV | 810001883 |
| 10" | 10VFT-TCV | 810001784 | 10VG-TCV | 810001890 |
| 11" | 11VFT-TCV | 810001801 | 11VG-TCV | 810001897 |
| 12" | 12VFT-TCV | 810001814 | 12VG-TCV | 810001906 |

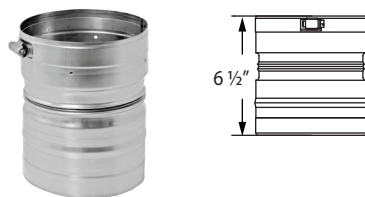
VFT Long Tee Snout



Use to increase reach through masonry at wall thimble.

| SIZE | ORDER # | STOCK # | LENGTH | ORDER # | STOCK # |
|------|----------|-----------|--------|-----------|-----------|
| 3" | 3VFT-TLS | 810001622 | 8" | 8VFT-TLS | 810001745 |
| 4" | 4VFT-TLS | 810001638 | 9" | 9VFT-TLS | 810001770 |
| 5" | 5VFT-TLS | 810001657 | 10" | 10VFT-TLS | 810001785 |
| 6" | 6VFT-TLS | 810001690 | 11" | 11VFT-TLS | 810001802 |
| 7" | 7VFT-TLS | 810001721 | 12" | 12VFT-TLS | 810001815 |

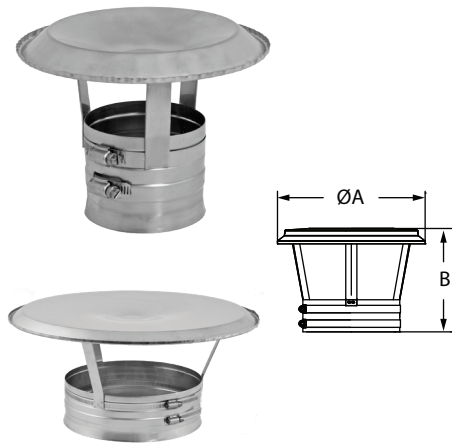
Swivel Tee Adapter



Use as connector between liner and Tee. Allows tee body to be rotated at wall thimble.

| SIZE | ORDER # | STOCK # |
|------|-----------|-----------|
| 5" | 5VFT-ADST | 810001658 |
| 6" | 6VFT-ADST | 810001691 |
| 7" | 7VFT-ADST | 810001722 |
| 8" | 8VFT-ADST | 810001746 |

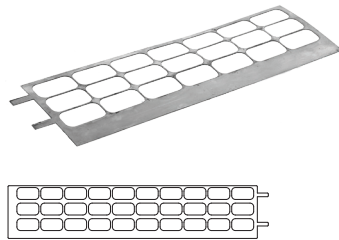
Rain Cap w/ Storm Collar



Use to support liner from the top and form a seal between the Storm Collar and the Top Plate. Top is removable for easy access to chimney cleaning. Top photo shows 3"-8" diameter style, bottom photo 9"-12" diameters.

| SIZE | ORDER # | STOCK # | A | B |
|--------|------------|-----------|-----|----|
| 3" | 3VFT-RCSC | 810001623 | 8" | 5" |
| 4" | 4VFT-RCSC | 810001641 | 8" | 5" |
| 5" | 5VFT-RCSC | 810001659 | 11" | 6" |
| 5 1/2" | 55VFT-RCSC | 810001675 | -- | -- |
| 6" | 6VFT-RCSC | 810001692 | 11" | 6" |
| 7" | 7VFT-RCSC | 810001723 | 15" | 6" |
| 8" | 8VFT-RCSC | 810001747 | 15" | 6" |
| 9' | 9VFT-RCSC | 810001771 | -- | 6" |
| 10" | 10VFT-RCSC | 810001786 | -- | 6" |
| 11" | 11VFT-RCSC | 810001803 | -- | 6" |
| 12" | 12VFT-RCSC | 810001816 | -- | 6" |

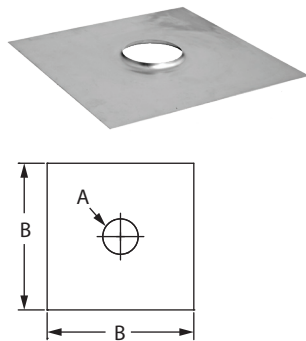
Bird Screen



Use to add a bird screen to a standard Rain Cap.

| SIZE | ORDER # | STOCK # | LENGTH | ORDER # | STOCK # |
|--------|----------|-----------|--------|----------|-----------|
| 3" | 3VFT-BS | 810001624 | 8" | 8VFT-BS | 810001749 |
| 4" | 4VFT-BS | 810001642 | 9' | 9VFT-BS | 810001772 |
| 5" | 5VFT-BS | 810001661 | 10" | 10VFT-BS | 810001787 |
| 5 1/2" | 55VFT-BS | 810006024 | 11" | 11VFT-BS | 810001804 |
| 6" | 6VFT-BS | 810001694 | 12" | 12VFT-BS | 810001817 |
| 7" | 7VFT-BS | 810001725 | | | |

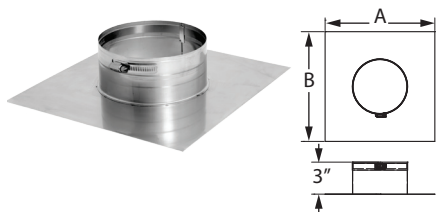
Top Cover Plate



Use to close the top of a masonry chimney and to provide support for the liner.

| SIZE | ORDER # | STOCK # | A | B |
|--------|----------|-----------|----------|-----|
| 3" | 3VFT-TP | 810001625 | 3 3/16" | 16" |
| 4" | 4VFT-TP | 810001643 | 4 3/16" | 16" |
| 5" | 5VFT-TP | 810001662 | 5 3/16" | 16" |
| 5 1/2" | 55VFT-TP | 810001677 | 5 4/5" | 16" |
| 6" | 6VFT-TP | 810001695 | 6 3/16" | 16" |
| 7" | 7VFT-TP | 810001726 | 7 3/16" | 16" |
| 8" | 8VFT-TP | 810001750 | 8 3/16" | 16" |
| 9' | 9VFT-TP | 810001773 | 9 3/16" | 18" |
| 10" | 10VFT-TP | 810001788 | 10 3/16" | 18" |
| 11" | 11VFT-TP | 810001805 | 11 3/16" | 18" |
| 12" | 12VFT-TP | 810001818 | 12 3/16" | 18" |

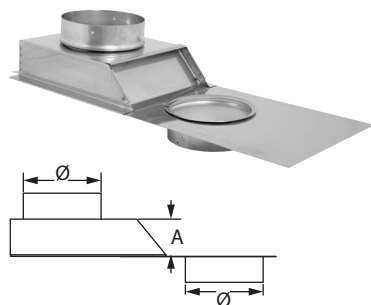
Bottom Plate w/ Collar



Attach to bottom of liner in the smoke chamber of a fire place, then pull up to form a seal between the liner and clay tile.

| SIZE | ORDER # | STOCK # | A x B |
|------|---------|-----------|-----------|
| 6" | 6VFT-BP | 810001696 | 12" x 13" |
| 7" | 7VFT-BP | 810001727 | 12" x 13" |
| 8" | 8VFT-BP | 810001751 | 12" x 13" |
| 9' | 9VFT-BP | 810001774 | 14" x 16" |

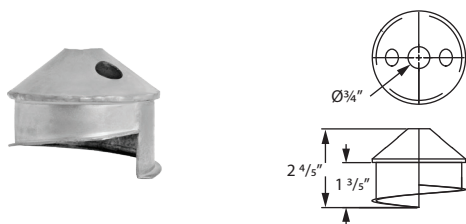
Offset Slide Adapter



Use as a horizontally adjustable connector between a liner and top flue outlet of a heater. Adds up to 5" of offset.

| SIZE | ORDER # | STOCK # | A |
|------|-----------|-----------|--------|
| 6" | 6VFT-ADSL | 810001697 | 2 3/4" |
| 8" | 8VFT-ADSL | 810001752 | 3 1/4" |

Installation Cone



Use with a rope to pull liner through offsets in masonry chimney. Twists into liner.

| SIZE | ORDER # | STOCK # | LENGTH | ORDER # | STOCK # |
|--------|----------|-----------|--------|----------|-----------|
| 3" | 3VFT-IC | 810001626 | 8" | 8VFT-IC | 810001758 |
| 4" | 4VFT-IC | 810001644 | 9" | 9VFT-IC | 810001776 |
| 5" | 5VFT-IC | 810001663 | 10" | 10VFT-IC | 810001791 |
| 5 1/2" | 55VFT-IC | 810006022 | 11" | 11VFT-IC | 810001807 |
| 6" | 6VFT-IC | 810001702 | 12" | 12VFT-IC | 810001819 |
| 7" | 7VFT-IC | 810001729 | | | |

Round-To-Oval Flex Connector



Use to connect round portion of this connector to round liner. Oval portion of connector fits through fireplace dampers.

| SIZE | ORDER # | STOCK # |
|-----------|--------------|-----------|
| 6" x 48" | 6VFT-48ROFC | 810001705 |
| 6" x 57" | 6VFT-57ROFC | 810001706 |
| 7" x 57" | 7VFT-57ROFC | 810001732 |
| 8" x 48" | 8VFT-48ROFC | 810001761 |
| 8" x 57" | 8VFT-57ROFC | 810001762 |
| 10" x 57" | 10VFT-57ROFC | 810001794 |

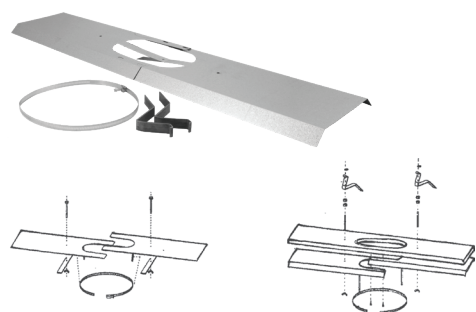
Oval Flex Connector



Use as a flex connector between the top of a fireplace insert and the bottom of a clay tile. See kits for details.

| SIZE | ORDER # | STOCK # | LENGTH | ORDER # | STOCK # |
|----------|------------|-----------|-----------|-------------|-----------|
| 6" x 48" | 6VFT-480FC | 810001703 | 8" x 57" | 8VFT-570FC | 810001760 |
| 6" x 57" | 6VFT-570FC | 810001704 | 9" x 48" | 9VFT-480FC | 810001777 |
| 7" x 48" | 7VFT-480FC | 810001730 | 10" x 48" | 10VFT-480FC | 810001792 |
| 7" x 57" | 7VFT-570FC | 810001731 | 10" x 57" | 10VFT-570FC | 810001793 |
| 8" x 48" | 8VFT-480FC | 810001759 | | | |

Sealing Kits



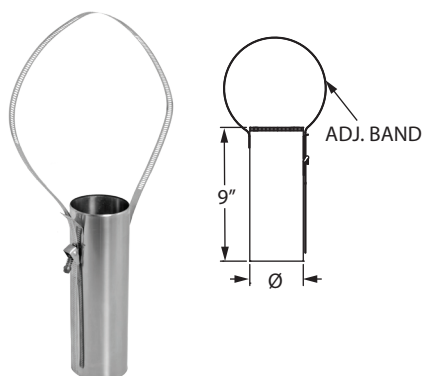
VSK Damper Sealing Kit

VCK Connector Sealing Kit

Use to seal damper. The VSK Damper Sealing Kit rests on top of the fireplace damper frame and seals the area around the Oval Flex Connector. Kit includes 2 panels, cross-bars to tighten against the damper frame for a secure fit and wing nuts. Fits up to 49" wide dampers. The VCK Connector Sealing Kit fits underneath the damper frame and seals the area around the Oval Flex Connector. Kit includes 2 plates, an insulation panel, support bars with hardware, connector and wing nuts. First up to 48" wide dampers. Each sealing kit is universal for diameters 6" - 10".

| SIZE | ORDER # | STOCK # |
|--------|----------|-----------|
| 6"-10" | 6VFT-VSK | 810001610 |
| 6"-10" | 6VFT-VCK | 810001609 |

VG Universal Take-off



Use to connect additional appliances into a common vent.

| SIZE | ORDER # | STOCK # |
|------|---------|-----------|
| 3" | 3VG-UTO | 810001833 |
| 4" | 4VG-UTO | 810001841 |
| 5" | 5VG-UTO | 810001849 |
| 6" | 6VG-UTO | 810001858 |

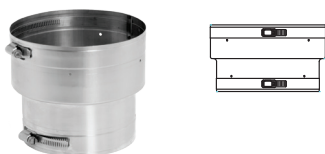
3"- 4" Pellet Step Increaser



Use to connect 4" diameter Ventinox flex to a 3" diameter pellet insert.

| SIZE | ORDER # | STOCK # |
|------|---------|-----------|
| 4" | 3VFT-X4 | 810001645 |

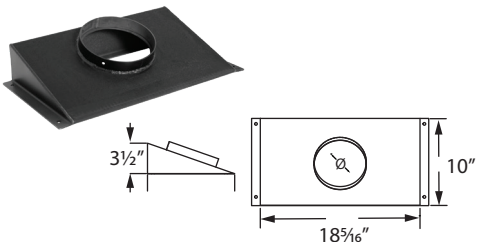
VG Increaser/Reducer



Use to increase or decrease vent diameters . Additional sizes available through special order.

| SIZE | ORDER # | STOCK # |
|---------|---------|-----------|
| 6" - 5" | 5VG-X6 | 810001850 |
| 7" - 8" | 7VG-X8 | 810001867 |
| 9" - 8" | 8VG-X9 | 810001875 |
| 7" - 6" | 7VG-X6 | 810001859 |

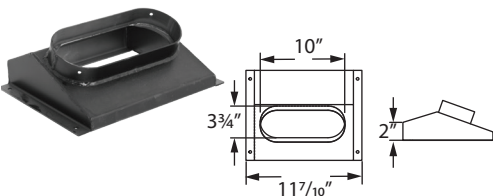
Round Insert Boot



Use to connect inserts with either rectangular or round flue collars to 6" or 8" liners. Made from 11 gauge carbon steel.

| SIZE | ORDER # | STOCK # |
|--------|---------|-----------|
| 6 1/2" | 6VFT-RB | 810001698 |
| 8 1/2" | 8VFT-RB | 810001753 |

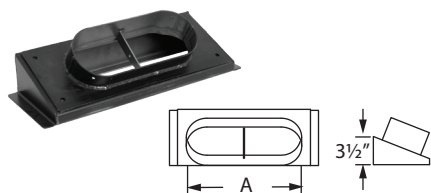
Oval Insert Boot



Use to connect inserts with 5" to 8" round flue collars to 8" Oval Flex Connectors. Made from 11 gauge carbon steel.

| SIZE | ORDER # | STOCK # |
|------|---------|-----------|
| 8" | 8VG-OB | 810001876 |

Oval Adjustable Insert Boot



Use to connect inserts with rectangular flue outlets to Oval Flex Connectors. Top plate can point straight up or back towards the damper. Made from 11 gauge carbon steel.

| SIZE | ORDER # | STOCK # | A |
|------|----------|-----------|-----|
| 8" | 8VFT-OB | 810001754 | 11" |
| 10" | 10VFT-OB | 810001789 | 14" |

Round-To-Oval Adapter



Use as a drip-free connection between a oval liner and Round Flex Connector.

| SIZE | ORDER # | STOCK # |
|-----------|--------------|-----------|
| 6" x 6" | 6VFT-6ADRO | 810001699 |
| 6" x 7" | 6VFT-X7ADRO | 810001700 |
| 6" x 8" | 6VFT-X8ADRO | 810001701 |
| 7" x 8" | 7VFT-X8ADRO | 810001728 |
| 8" x 8" | 8VFT-8ADRO | 810001755 |
| 8" x 9" | 8VFT-X9ADRO | 810001756 |
| 8" x 10" | 8VFT-X10ADRO | 810001757 |
| 9" x 10" | 9VFT-X10ADRO | 810001775 |
| 10" x 10" | 10VFT-10ADRO | 810001790 |

Oval-To-Round Adapter



Use as a drip-free connection between a round liner and Oval Flex Connector.

| SIZE | ORDER # | STOCK # |
|----------------------|---------------|-----------|
| 6" x 6" | 6VFT-6ADOR | 810001707 |
| 7" x 7" | 7VFT-7ADOR | 810001733 |
| 6" x 7" 30° ANGLE | 6VFT-X7ADOR30 | 810001708 |
| 6" x 7" | 6VFT-X7ADOR | 810001709 |

Insulation

TherMix



Use to fill space between a liner and inside masonry chimney. Ready-mix formula cures into lightweight. Semi hard mass that insulates the liner and dissipates the intense heat created in a chimney fire.

*Use Table 1 to estimate the number of TherMix bags or boxes needed to do the job.

- Find the flue opening that comes closest to the one being lined, the left hand column.
- Find the size of the liner to be installed across the top line.
- Where the values intersect, read the cubic foot volume of TherMix per foot of chimney height.
- Multiply this volume by the height (in feet) of the chimney.
- Divide the cubic feet calculated in the previous step by 3.25. This answer will determine the number of bags/boxes of TherMix needed.

| SIZE | ORDER # | STOCK # |
|------|---------|-----------|
| BAG | RNS-TMG | 810001820 |
| BOX | RNS-TMX | 810001821 |

Example:

A 28' chimney with a flue opening of 8.5" x 8.5" is to be lined with a 6" liner. As shown in Table 1, .30ft³ of TherMix is needed per foot of chimney height. Multiply .30 by 28 (the height of the chimney), to get 8.4ft³. Now divide 8.4 by 3.25 (the approximate volume yield per bag of TherMix), to obtain 2.6 bags/boxes of TherMix to complete the installation.

*Masonry chimneys are not uniform structures. Have extra bags/boxes available in case you need them. If there is an installation not covered by table 1, refer to the formula below:

$$\text{Packages of TherMix} = \frac{(W'' \times D'' \times H'') - (CS \times H'')}{1728 \text{ cu. in.}} \div 3.25$$

- W = Width of flue opening (in inches)
- D = Depth of flue opening (in inches)
- H = Height of flue (in inches)
- CS = Cross Section areas of chimney liner (table 2)

| Flue Opening | Diameter of Liner | | | | | |
|---------------|-------------------|------|----------------|----------------|----------------|------|
| | 5" | 6" | 7" | 8" | 10" | 12" |
| 7.5" x 7.5" | .25 | .20 | -- | -- | -- | -- |
| 7.5" x 11.5" | .46 | .40 | (Ovalized) .38 | (Ovalized) .32 | -- | -- |
| 8.5" x 8.5" | .36 | .30 | .23 | -- | -- | -- |
| 8.5" x 11.5" | .54 | .48 | .41 | (Ovalized) .36 | (Ovalized) .33 | -- |
| 9.5" x 9.5" | .49 | .43 | .36 | .27 | -- | -- |
| 11.5" x 11.5" | .78 | .72 | .65 | .60 | .37 | -- |
| 11.5" x 16.5" | 1.18 | 1.12 | 1.05 | .96 | .77 | -- |
| 12.5" x 12.5" | .95 | .88 | .82 | .73 | .53 | -- |
| 14.5" x 14.5" | 1.30 | 1.26 | 1.20 | 1.10 | .92 | .65 |
| 14.5" x 18.5" | 1.70 | 1.66 | 1.60 | 1.50 | 1.30 | 1.04 |

| Liner Size | CS Area | Oval Liner Size | Oval Dimensions | CS Area |
|------------|-----------------------|-----------------|-----------------|----------------------|
| Round 5" | 19.62in ² | | | |
| Round 6" | 28.46in ² | Oval 6" | (4.2" x 7.2") | 24.60in ² |
| Round 7" | 38.46in ² | Oval 7" | (4.2" x 9.1") | 32.20in ² |
| Round 8" | 50.25in ² | Oval 8" | (4.2" x 10.3") | 37.20in ² |
| Round 9" | 62.50in ² | | | |
| Round 10" | 78.50in ² | Oval 10" | (4.2" x 13.3") | 49.50in ² |
| Round 12" | 113.22in ² | | | |

ProFoil



Use as insulator for stainless steel liners in masonry chimneys. UL Listed insulation. Size is based on vent diameter.

Required to insulate stainless steel liner to meet UL 1777 when proper clearances to chimney and framing are not available. 1" clearance from SS liner to interior wall of the masonry chimney and 1" clearance from the masonry to the house framing are required in order to meet UL 1777. If you do not have either of these clearances then a ½" wrap is required. If these two clearances are available then no insulation is needed. AluFoil Tape and ProMesh required.

| SIZE | FITS Ø | THICKNESS | ORDER # | STOCK # |
|-----------|----------|-----------|-----------------|-----------|
| 22" x 25' | 5" - 5½" | ½" | 56RNS-PFB22X25 | 810001822 |
| 24" x 25' | 6" | ½" | 7RNS-PFB24X25 | 810001823 |
| 29" x 25' | 7" | ½" | 8RNS-PFB29X25 | 810001824 |
| 48" x 25' | 8" - 12" | ½" | 912RNS-PFB48X25 | 810001825 |

AluFoil Tape



Use to seal seams of ProFoil insulation. 2 mil aluminum foil tape has strength and adhesion.

| SIZE | ORDER # | STOCK # |
|-----------|---------|-----------|
| 3" x 150' | RNS-ALF | 810002486 |

ProMesh



Use to protect the ProFoil during installation. 304 stainless steel mesh slides over insulated liner. Shrinks to fit liner when pulled length-wise.

| SIZE | ORDER # | STOCK # | LENGTH |
|--------------|---------|-----------|--------|
| SM 3"-6"Ø | RNS-PM1 | 810012553 | 25' |
| LG 7"-9"Ø | RNS-PM2 | 810012554 | 25' |
| XLG 10"-12"Ø | RNS-PM3 | 810012555 | 25' |