

DuraVent- FNS Rain Cap- Guy Wire Attachment L1150 Installation Instruction Addendum

FasNSeal®

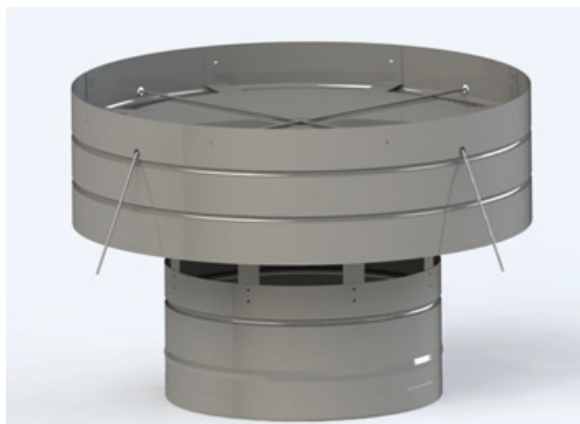


Figure 1

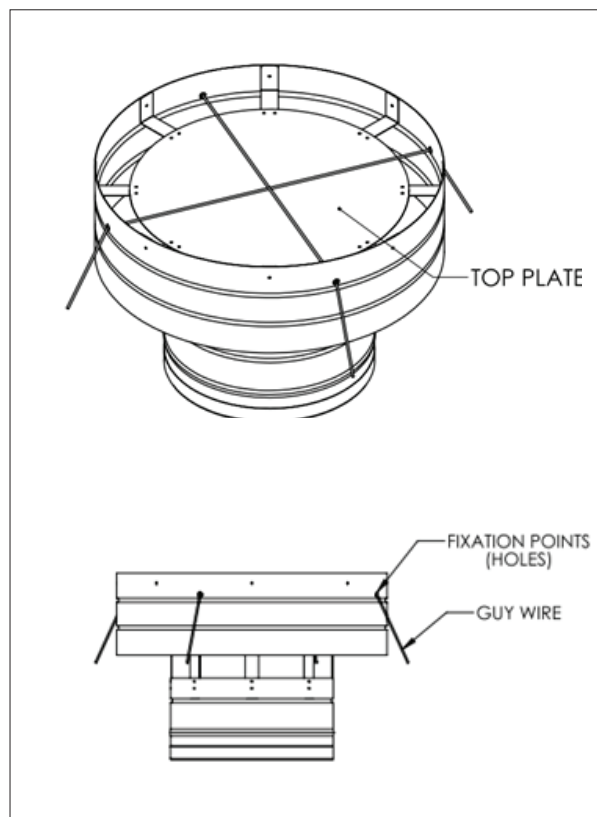


Figure 2

FNS RAIN CAP- GUY WIRE

Description.

The Rain Cap Guy Wire Fixation Points provide an easy, secure way to add additional restraint to the rain cap when deemed necessary.

Installation.

Always follow appliance manufacturer's installation instructions for proper appliance setup and venting requirements.

Refer to the FasNSeal® SW & W2 Installation Instructions for correct installation to FasNSeal vent lengths and adapters.

Run Guy Wire through holes over the top plate and secure to roof.

DuraVent®

