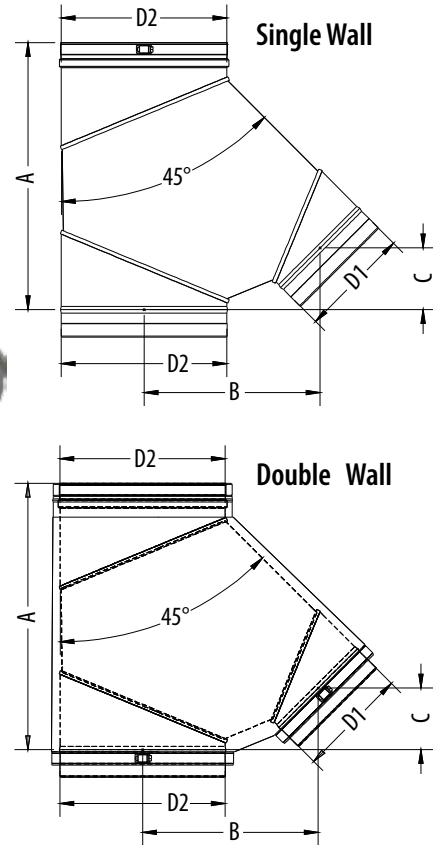


FasNSeal Increasing Wye

FasNSeal Single and Double Wall Increasing Wye

The FasNSeal single and double wall increasing wye can be used in place of any tee for a 45° angle instead of 90°. The branch has a smaller diameter, so it can be used to increase to a larger diameter as a manifold connection to gang multiple boilers into a common vent. Maximum diameter increase is 6". Available in custom size combinations.



Features:

- 45° branch angle
- Used as a manifold connection to gang multiple boilers into a common vent
- Built-in manifold locking band
- Ease of installation
- Reduces flow restriction

Materials:

FasNSeal
AL29-4C

FasNSeal W2
AL29-4C stainless steel
inner wall, stainless steel outer wall

Single Wall Wye		Double Wall Wye		Dimensions				
Order #	Stock #	Order #	Stock #	D1	D2	A	B	C
FSWYE0608	810012530	W2-WYE0608	810012570	6"	8"	15 3/8"	9 1/4"	3 3/8"
FSWYE0610	810012531	W2-WYE0610	810012571	6"	10"	16"	10 5/8"	3 3/8"
FSWYE0612	810012556	W2-WYE0612	810012572	6"	12"	17 1/8"	12 1/2"	4"
FSWYE0810	810012532	W2-WYE0810	810012573	8"	10"	18 3/4"	11 3/8"	4 3/8"
FSWYE0812	810012533	W2-WYE0812	810012574	8"	12"	19 3/8"	12 3/4"	4 1/2"
FSWYE0814	810012557	W2-WYE0814	810012575	8"	14"	20"	14 1/4"	4 5/8"
FSWYE1012	810010236	W2-WYE1012	810012576	10"	12"	22 1/4"	13 1/2"	5 1/8"
FSWYE1014	810012534	W2-WYE1014	810012577	10"	14"	22 7/8"	15"	5 3/8"
FSWYE1016	810010311	W2-WYE1016	810012578	10"	16"	23 1/2"	16 3/8"	5 1/2"
FSWYE1214	810010055	W2-WYE1214	810012579	12"	14"	25 5/8"	15 5/8"	6 1/8"

